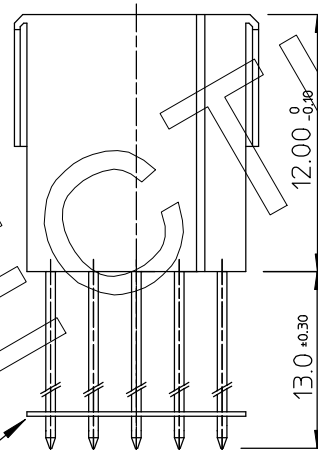
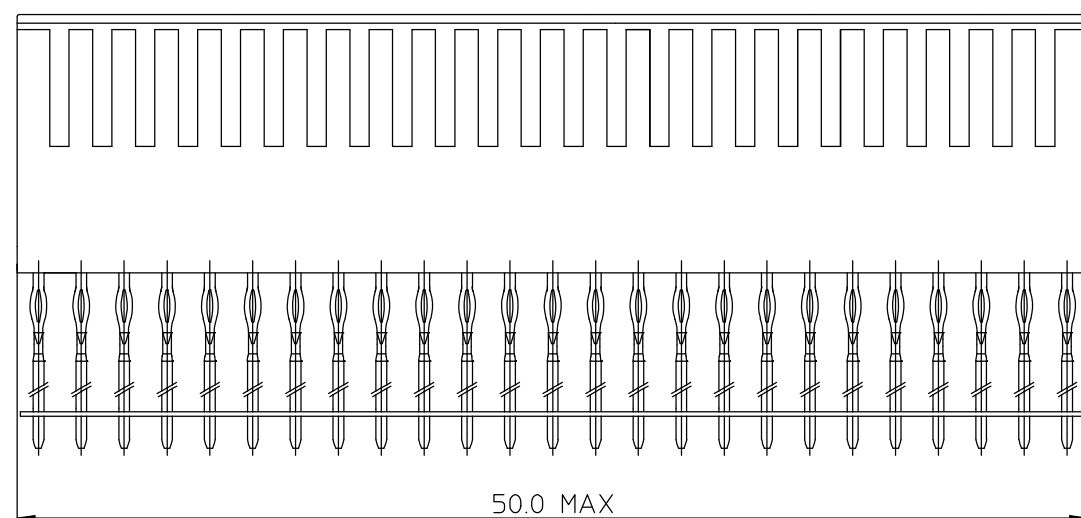


BS,C ,201907,012

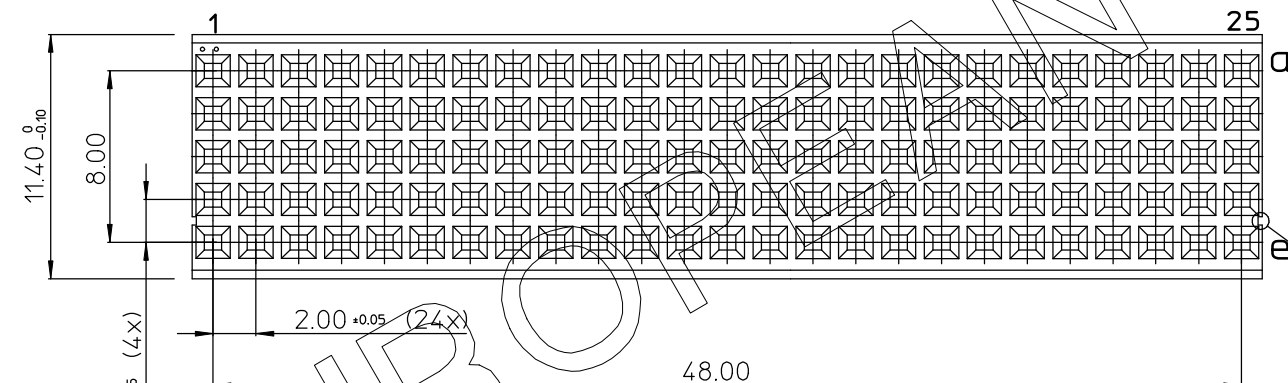
C

GEN. ST.	01	02	03	04	05	06	07	08	0D	50	60	70	80	90																	
INT. ST.	10	11	12	13	14	18	20	31	32	33	34	38	39	40	42	43	44	45	46	48	56	70	72	73	75	76	81	82	83	84	88

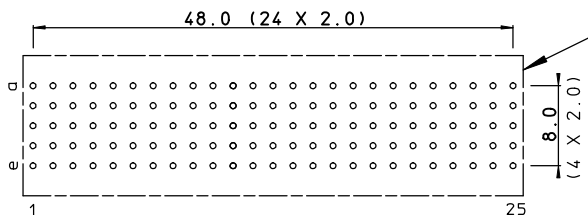
REV.	DATE	DESCRIPTION	BY	C'K'D'
A	14-09-01	CONVERSION REVISION 00	KN	
B	21-11-01	EC B10094	MF	
C	27-11-04	104-0109	ALEX B	BKP



ALIGNMENTSTRIP



LAY-OUT
P.C.B.- HOLE
(FRONT SIDE)



PERFORMANCE CHARACTERISTICS

- CURRENT RATING : 1.5 A AT 20°C (FULLY LOADED)
- 1 A AT 70°C (FULLY LOADED)
- RATED VOLTAGE : 500 V AC (CONT / CONT)
- OPERATING TEMPERATURE : -55°C TO 125°C
- CONTACT RESISTANCE : 20 mΩ MAX
- INSERTION FORCE : 0.75 N MAX / CONT
- EXTRACTION FORCE : 0.15 N MIN / CONT
- INSULATION RESISTANCE : 10⁴ MΩ MIN

VISUAL POLARISATION AT COLUMN 25
SHOULD COINCIDE WITH 25TH COLUMN ON PCB

NOTE 1: "--" PERFORMANCE LEVEL INDICATION

- GC: PL3
- GF: PL2
- GL: PL1

FEMALE SIGNAL STRAIGHT PRESS-FIT -TO-BOARD CONNECTOR			
WITHOUT SERVICECENTER			
1DEC ±0,2 1DEC	APPR.	DATE	SIGN.
2DEC ±0,1 2DEC	DRAFT	10.04.98	M.Freit
ANGLES ±1° HOEKEN	CHECKED		
WE RESERVE THE RIGHT TO CHANGE DIMENSIONS OR REQUIREMENTS WITHOUT PRIOR NOTICE.	PROD. MGR.		
	PR.ENG.MGR.		
	PR.MGT.MGR.		
ALL DIMENSIONS IN MM	REFERENCES / REFERENTIES		
ALLE AFMETINGEN IN MM	MPACS 5R STR REC CONN TYPE B		
	CAT. No. HM2S02PK5100--		
	FCI		SCALE
	FCI MECHELEN N.V. A. SPINOYSTRAAAT 8, 2800 MECHELEN		3 / 1
	BS,C ,201907,012		C
	DRAWING No. CUSTOMER DRAWING		REVISION

THIS IS OUR EXCLUSIVE PROPERTY IT IS NOT TO BE COPIED, REPRINTED OR DISCLOSED TO A THIRD PARTY. NOR USED FOR MANUFACTURING WITHOUT OUR WRITTEN CONSENT, AND HAS TO BE RETURNED TO US IN CASE OF NO USAGE
DIT IS ONZE EIGENDOM EN MAG NOCH NAGEMAAKT, HERDRUKT, OVERGEMAAKT AAN DERDEN, NOCH VOOR FABRIKATIE GEBRUIKT WORDEN, ZONDER ONZE SCHRIFTELIJKE TOELATING. BIJ NIET GEBRUIK IS TERUGZENDING VERPLICHT.